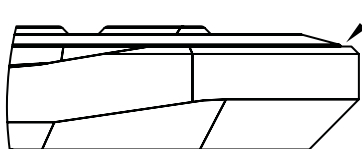


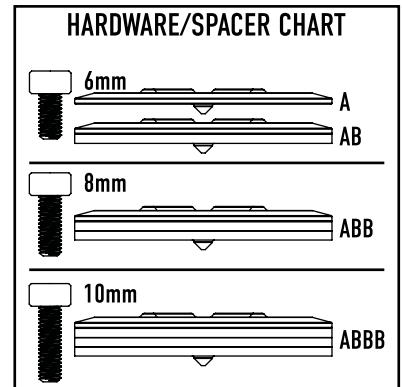
KAROO 2 REPLACEMENT INSERT SPACER GUIDE

	GEN 6 MADONE MOUNT	GEN 7 MADONE MOUNT	SYNCROS IC/IM	SYNCROS RR STEM	SYNCROS FOIL AERO STEM	SYNCROS IC AERO/IC AERO IM	ENVE ROAD STEM	IHS MOUNTS	ENVE ADJUSTABLE COMBO
A	PRO VIBE RACE XL								
	MAX SERIES XL MOUNTS	MAX SERIES MOUNTS							
A+B	ENVE AERO MOUNT V2	ENVE AERO STEM MOUNT							
	SPORT HANDLEBAR MOUNT								
	PRO VIBE RACE MOUNT	RACE MOUNT							
A+B+B	SYNCROS HIXON IC XR	SYNCROS FRASER IC	SPORT TT MOUNT	ADJUSTABLE STEM BOOST MOUNT	ADJUSTABLE STEM MOUNT	ENVE AERO MOUNT V.1			
	SYNCROS DC								
	SYNCROS XC								
A+B+B+B	FUTURE STEM MOUNT	ROVAL MOUNT	GRAVITY CAP						
	FIXED STEM MOUNT								
	TREK SPEED CONCEPT MOUNT								
	SYNCROS RR SPLAYED MOUNT								



EDGE OF SPACER 'A' SHOULD BE AT, OR SLIGHTLY ABOVE, THE RIM OF THE MOUNT

CHECK OUT OUR INSTALLATION WALKTHROUGH VIDEO [HERE](#)



HAMMERHEAD REPLACEMENT INSERTS ARE NOT COMPATIBLE WITH THE FOLLOWING K-EDGE PRODUCTS

- K-EDGE TT MOUNT (K13-510)
- K-EDGE AERO RACE MOUNT FOR WAHOO BOLT V.1 (K13-1600AR)
- K-EDGE AERO RACE MOUNT FOR WAHOO BOLT V.2 (K13-1600AR2)
- K-EDGE AERO BOLT TT MOUNT (K13-2610AR)

CONTACT INFO@K-EDGE.COM FOR FURTHER ASSISTANCE