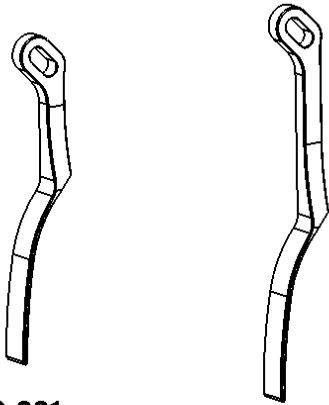




Road Chain Catcher Installation Instructions (K13-001, K13-006, K13-001-SL1, K13-001-SL2)



K13-001
K13-001-SL

K13-006

Description:

The K-Edge Road Chain Catcher series is designed to eliminate chain drop on the lowest chainring due to hard shifts, cross-chain shifting and or rough terrain while riding.

Compatibility:

The K13-001 Road Chain Catcher series is designed to fit braze-on front derailleur mounts only with a Double chainring. The K13-006 This includes framesets with braze-on mounts and seat tube clamps that accept braze-on derailleur's.

The K13-001-SL1 Road Chain Catcher series is designed to fit braze-on Shimano and Campagnolo front derailleur's only.

The K13-001-SL2 Road Chain Catcher series is designed to fit braze-on SRAM front derailleur's only.

Warnings:

All K-Edge products are to be installed by a professional bike mechanic.

These instructions are generalized to accommodate a wide ranges of setups for a bike. If your setup does not match what is being described, take extra care in the process of your setup and contact K-Edge Support if you have any questions.

Improper installation of any K-Edge product or use outside of its design intentions could lead not only to damaging the bike but could also cause personal injury to the rider.

Parts Included:

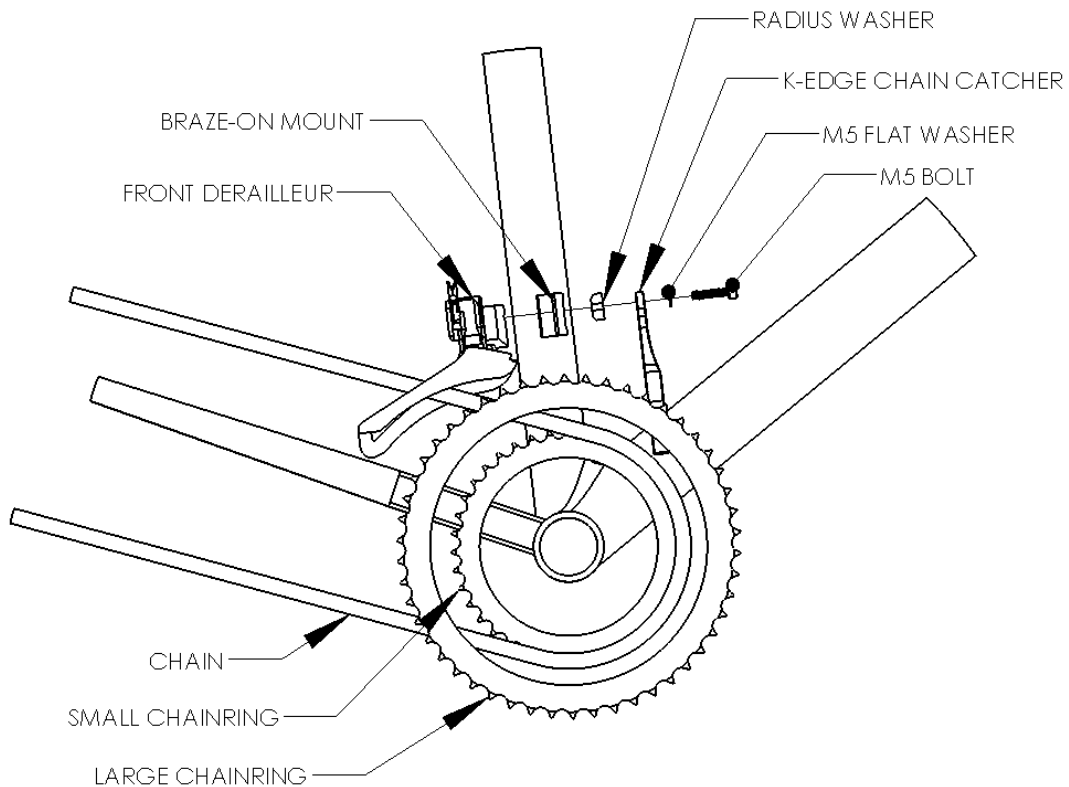
- K13-001 & K13-006:
 - ✓ 1x Chain Catcher
 - ✓ 1x M5 x 22.5 mm socket head stainless steel bolt
 - ✓ 1x M5 x 25 mm socket head stainless steel bolt
 - ✓ 1x M5 Flat washer
 - ✓ 1x Radius washer
- K13-001-SL1 (Shimano & Campagnolo)
 - ✓ 1x Chain catcher
 - ✓ 1x M5 x 22.5 mm titanium bolt
 - ✓ 1x M5 Flat washer
 - ✓ 1x Radius washer
- K13-001-SL2 (SRAM)
 - ✓ 1x Chain catcher
 - ✓ 1x M5 x 25mm titanium bolt
 - ✓ 1x M5 flat washer
 - ✓ 1x Radius washer

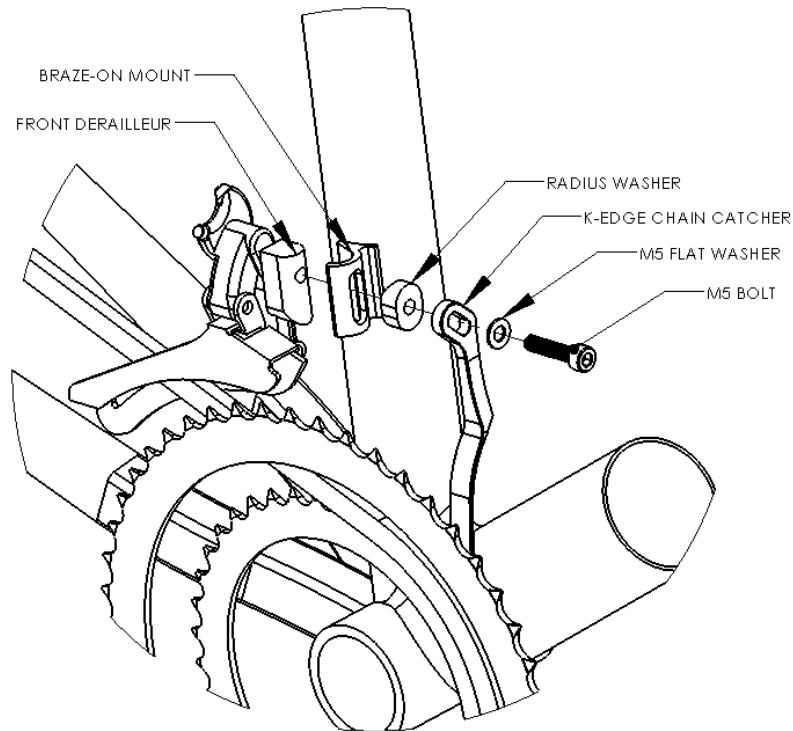
Tools/Items Required:

- ✓ Metric Allen Set (4mm for mounting bolt)
- ✓ Torque wrench

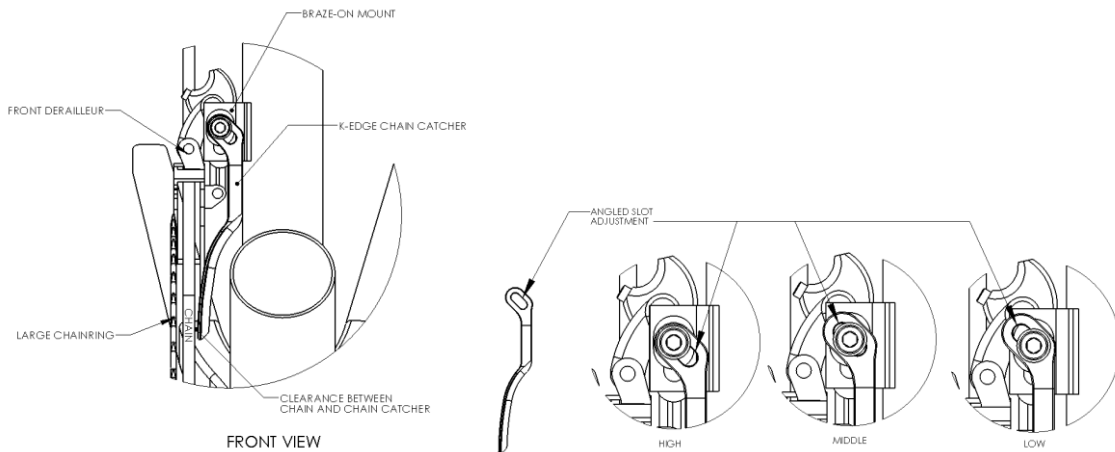
Installation Steps:

1. Position the chain on the inner (small) ring and the lowest (largest cog) gear in the back.
2. Thread the bolt and K-Edge assembly into the front derailleur and finger tighten to allow for both derailleur and chain catcher adjustment. See Image below:





3. Position the front derailleur in correct position with the chainring and align the lower arm of the chain catcher as 'vertical' (parallel with the face of chainring) and as close to the chain as possible without contacting (Approximately 0.5mm). The angle mounting slot allows for fine tuning this angle. Make sure to also double check that the 'neck' of the chain catcher is parallel to the seat tube. See image below:



4. Check clearance of the chainring bolts. (Some bolts stick out further than others.)
5. Carefully torque the M5 socket Head Cap screw using a 4mm Allen socket to 6-7N-m. Recheck derailleur and chain catcher alignment.

Troubleshooting:

- Chain drops even though chain catcher is installed.
 - Check the chain catcher for proper adjustment.
 - Check the neck of the chain catcher to ensure that it is parallel to the seat tube and the chain catcher is approximately 0.5mm distance away from the chain itself.
 - Adjust the tightness of the socket head bolt so that it isn't loose and isn't allowing the chain to push against the chain catcher and repositioning the chain catcher further away from the chain.
- There is a "clicking" sound while riding.
 - Check the chain catcher to ensure it isn't adjusted too close to the chainring bolts, but still close enough to catch the chain if it were to drop.
- Chain is rubbing on the chain catcher.
 - Check the chain catcher so it isn't adjusted too closely to the chain itself, it should be approximately 0.5mm distance from the chain, allowing room for the chainring bolts and smooth movement across the face of the chain catcher; should the chain come in direct contact.
- Chain is rubbing on the derailleur after installation of the chain catcher.
 - Check the adjustments of the front derailleur so that it's in accordance with manufacturer's recommendations.
 - Check the height of the front derailleur in conjunction with the chain to ensure there isn't contact between the chain and front derailleur cage.
- Chain catch isn't adjustable.
 - Check the position against the frame towards the bottom bracket for any contact.
 - Adjust the height of the chain catcher at the head by loosening the bolt and sliding the chain catcher vertically on the derailleur.

Support/Contact:

If problem(s) still persist after troubleshooting, please contact K-Edge Support for further assistance at info@K-Edge.com immediately. Please be sure to include your full name, phone number, K-Edge product purchased, brand and model of bike, crankset with ring sizes, front derailleur, cassette size (if applicable), rear derailleur (if applicable) and a brief description of your problem.