

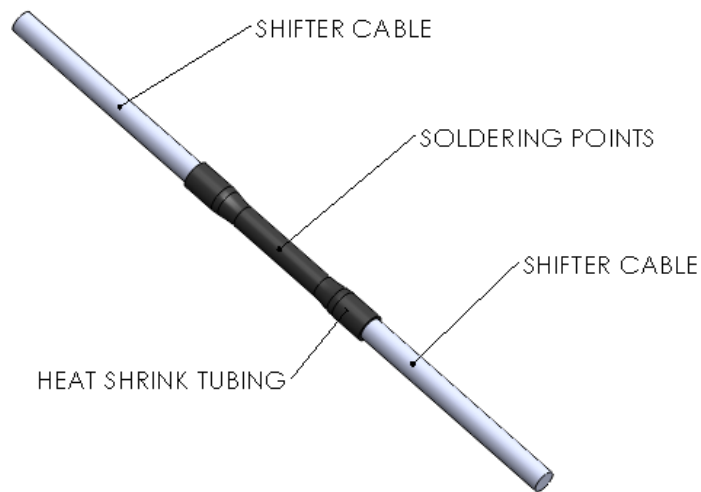
WARNING

DO NOT BEND HEAT SHRINK TUBING AROUND (i.e. WRAP AROUND) SHIFTER CABLE

LOSS OF CONNECTION/SHIFTING COULD RESULT AT SOLDERING POINTS

DO NOT OVERTIGHTEN ZIP-TIES TO SHIFTER WIRE - A POSSIBLE SEVERED WIRE MAY OCCUR

CORRECT



INCORRECT

