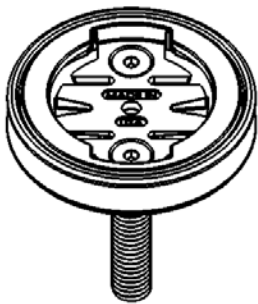




Gravity Cap GARMIN® Mount Installation Instructions (K13-550-[color])

K13-550 GRAVITY CAP GARMIN MOUNT



Description:

The K-EDGE Gravity Cap GARMIN Mount is designed for installation of a GARMIN Edge® or GARMIN Forerunner® computer onto a 1-1/8" Steerer Tube in replacement of the original top cap, placing the computer directly over the steerer tube of the fork.

Compatibility:

The K13-550 Gravity Cap GARMIN Mount is compatible with all GARMIN Edge, Touring, Touring Plus, and Forerunner models

Warnings:

We strongly recommend installation of the Gravity Cap Stem Mount by a professional mechanic. These instructions are generalized to accommodate a wide range of setups for a bike. If your setup does not match what is being described, take extra care in the process of your setup and contact K-EDGE Technical Support if you have any questions.

Improper installation of any K-EDGE product or use outside of its design intentions could lead not only to damaging the bike and related components but could also cause personal injury to the rider.

Parts Included:

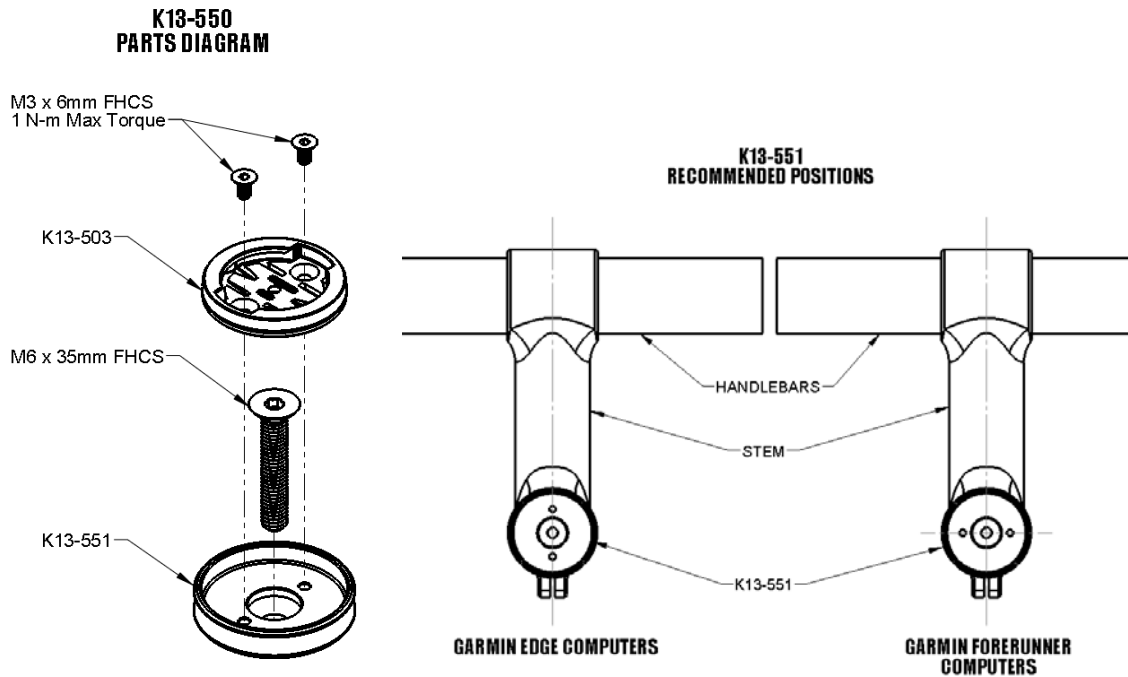
- K13-550
 - ✓ 1x K13-551 K-EDGE Gravity Cap GARMIN Mount
 - ✓ 1x K13-503 GARMIN insert
 - ✓ 1x M6 x 35 mm SHCS
 - ✓ 2x M3 x 6 mm (Blue Thread Lock pre-applied)

Tools/Items Required:

- ✓ Metric Allen Set (5/6 mm for the top cap bolt and 2 mm for the insert bolts)
- ✓ Torque wrench

WARNING: IT IS STRONGLY RECOMMENDED THAT YOU PERIODICALLY CHECK ALL BOLTS FOR PROPER TORQUE!!!

Mount Installation:



1. Ensure the stem and handlebars are installed, aligned, and torqued according to manufacturer's recommendations.
2. Remove the original top cap and mounting bolt.
3. Install K13-551 on top of the stem.
4. Install, but do not fully tighten, M6 x 35mm FHCS.
5. Set the mount to your desired position (see above).
6. Carefully tighten the top cap bolt (M6 x 35mm FHCS) according to the manufacturer's recommendations for the headset.
7. Install K13-503 Garmin Insert.
8. Install the 2x M3 x 6mm Flat Head screws.

Caution: Do not over-torque the M3 x 6mm Flat Head screws.

Notes:

- A small amount of thread lock has been pre-applied to the M3 x 6mm bolt at the factory, it is recommended that an additional amount be added if this bolt were to be adjusted multiple times.
- Subsequent adjustment or tightening of the M6 x 35mm headset bolt will require removal of the two M3 x 6mm FHCS bolts.

WARNING: IT IS STRONGLY RECOMMENDED THAT YOU PERIODICALLY CHECK ALL BOLTS FOR PROPER TORQUE!!!

Troubleshooting:

- My computer hits the stem during installation.
 - A spacer may be needed below the mount to clear some stems.
- There is a little play even when my computer is installed onto the mount with a positive click.
 - With the computer installed, visually check for movement of the K13-503 from the openings underneath the mount. If movement is detected slightly increase the torque of the 2x M3 x 6mm Flat Head Screws (1 N-m Max).
- The mount rotates about the steerer tube when I install my computer.
 - Check that the proper amount of torque is applied to the top cap bolt (M6 x 35mm FHCS).

Support/Contact:

If problem(s) still persist after troubleshooting, please contact K-EDGE Support for further assistance at info@K-EDGE.com immediately. Please be sure to include your full name, phone number, and K-EDGE product purchased.

WARNING: IT IS STRONGLY RECOMMENDED THAT YOU PERIODICALLY CHECK ALL BOLTS FOR PROPER TORQUE!!!